

RAAF F/A-18A

WORIMI HORNET



RAAF F/A-18A Worimi Hornet

The Royal Australian Air Force (RAAF) operated McDonnell Douglas F/A-18 Hornet fighter aircraft between 1984 and 2021. The Australian Government purchased 75 A and B variants of the F/A-18 in 1981 to replace the RAAF's Dassault Mirage III fighters. The Hornets entered service with the RAAF between 1984 and 1990. Four Hornets were destroyed in flying accidents during the late 1980s and early 1990s.

RAAF Hornets were first sent on a combat deployment as part of the Australian contribution to the 2003 invasion of Iraq. During the invasion, 14 Hornets flew patrols over Iraq, as well as close air support sorties to assist coalition ground forces. RAAF F/A-18s also provided security for the American air base at Diego Garcia between late 2001 and early 2002, and have protected a number of high-profile events in Australia. Between 2015 and 2017 a detachment of Hornets was deployed to the Middle East and struck ISIL targets as part of Operation Okra. Commencing in 1999, the RAAF put its Hornets through a series of upgrades to improve their effectiveness.

F/A-18A A21-23 c/n 483/AF023 was delivered to the RAAF on February 8, 1988. In 2002 the aircraft was with the 75 Sqn and was selected to wear the special paint scheme for the unit's 60th anniversary. On February 24, 2015 F/A-18A A21-23 was unveiled wearing a special paint scheme called "Worimi Hornet" in honor of Leonard Waters and the aboriginal people. Len was the first RAAF aboriginal fighter pilot during WWII where he flew 95 missions.

The art represents the aboriginal vision of the Kilyarr Kilyarr wedgetail Eagle and was a symbol of the commitment of the RAAF with the historical people of the country. The aircraft was homebased at RAAF Williamtown.

CAUTION

- *Read carefully and fully understand the instructions before commencing assembly.
- *Keep out of reach of children. Children must not be allowed to put any parts in their mouths, or pull plastic bag over their heads.
- *When using adhesives and paints, please make sure not to use them in closed room or near the fire.
- *When assembling this kit, tools including knives are used. Extra care should be taken to avoid injury.

WARNING: CONTAIN SMALL PARTS NOT FOR CHILDREN UNDER 14 YEARS OF AGE.



Drill



Remove



2 Set



Bend



Optional



Decal



Super Glue



Fill Hole



No Cement



Be Careful

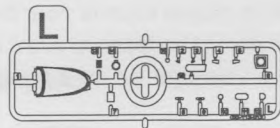
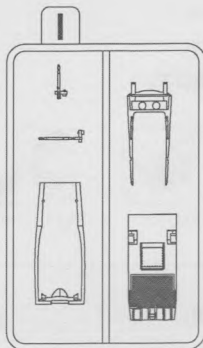
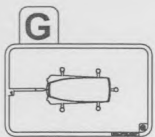
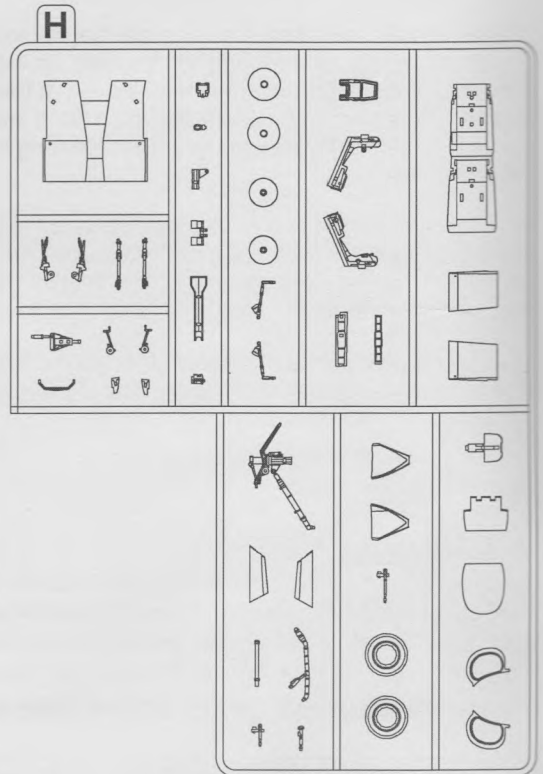
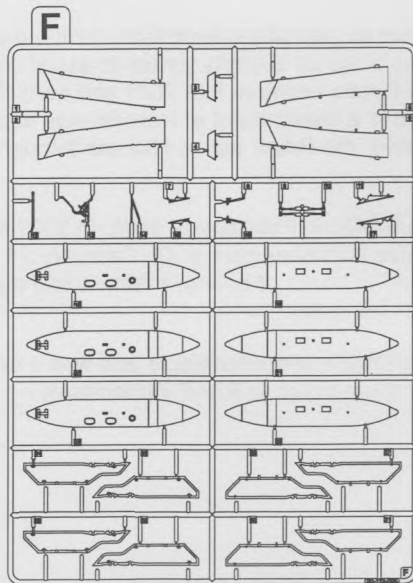
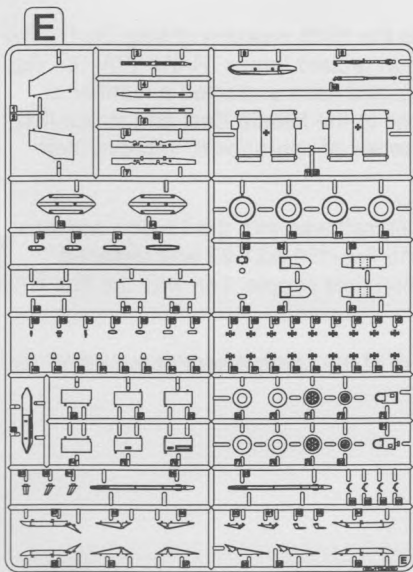
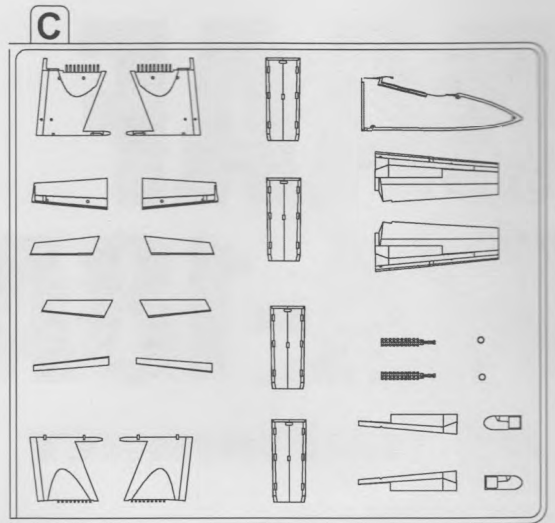
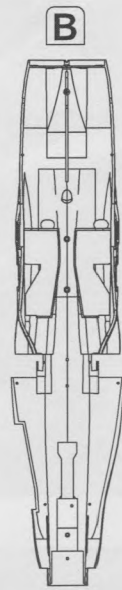
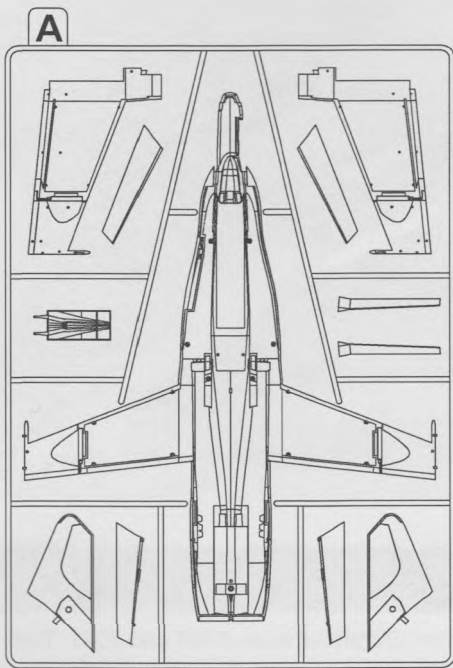
TOOLS RECOMMENDED

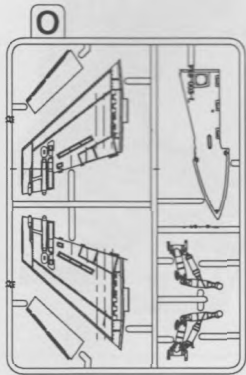
Cement

Side Cutter

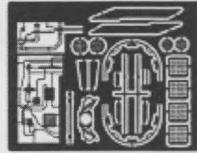
Modeling Knife

Tweezers





PE



AFTERMARKET SERVICES CARD

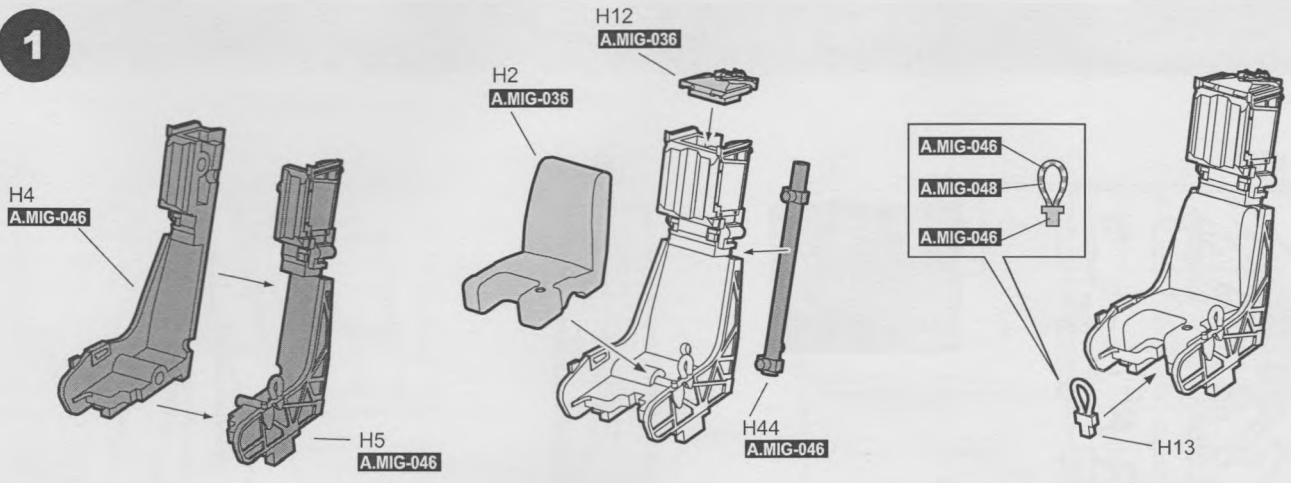
When requesting replacement parts, please take or send this form to your local dealer so that the parts required can be correctly identified. Please note that specifications and availability are subject to change without notice.

or visit <http://www.kineticmodel.com> for latest information.

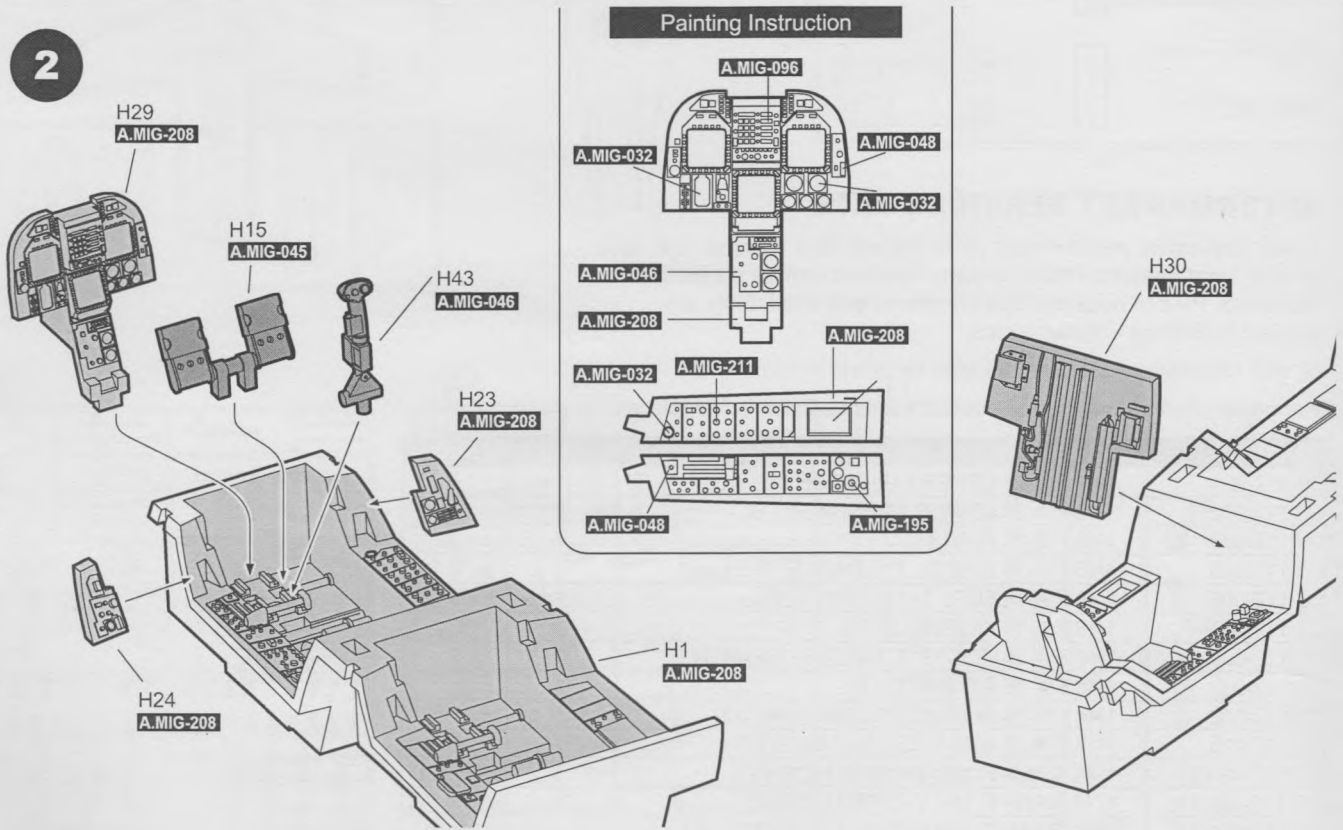
For more information, please contact services@kineticmodel.com

Part Code	KI-K48131	Qty	Item
00-112-001	1/48 F/A-18 UPPER FUESLAGE A	1	A
00-112-002	1/48 F/A-18 LOWER FUESLAGE B	1	B
00-112-003	1/48 F/A-18 FLAPS C	1	C
00-112-005	1/48 F/A-18 WHEEL, PYLONS E	1	E
00-112-006	1/48 F/A-18 FUEL TANKS, PYLON F	1	F
00-112-007	1/48 F/A-18 A/C CANOPY G	1	G
00-112-008	1/48 F/A-18 COCKPIT, LANDING GEAR H	1	H
00-112-009	1/48 F/A-18 A/C PARTS I	1	I
00-112-012	1/48 F/A-18 COMMON CLEAR PARTS L	1	L
00-112-015	1/48 F/A-18 A/B VERTICAL TAIL PART O	1	O
01-112-48131	1/48 RAAF F-18A WORIMI HORNET	1	DECAL
03-112-48131	1/48 RAAF F-18A WORIMI HORNET	1	MANUAL
06-112-48033	1/48 RAAF F-18A WORIMI HORNET	1	PE

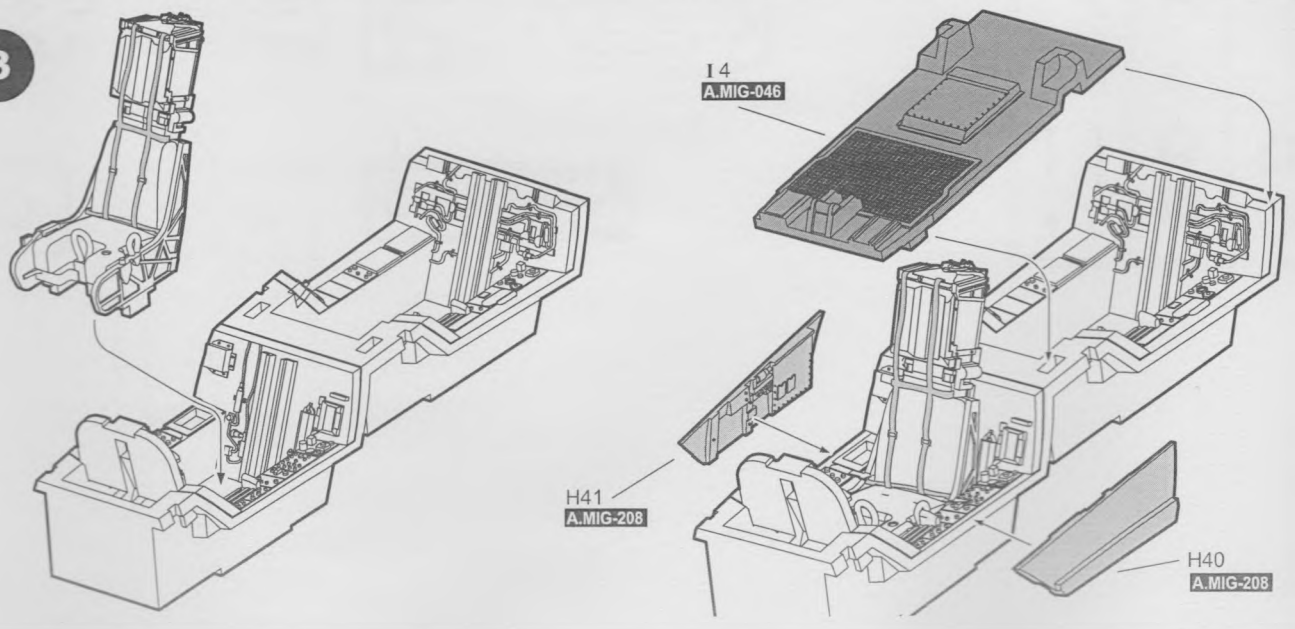
1



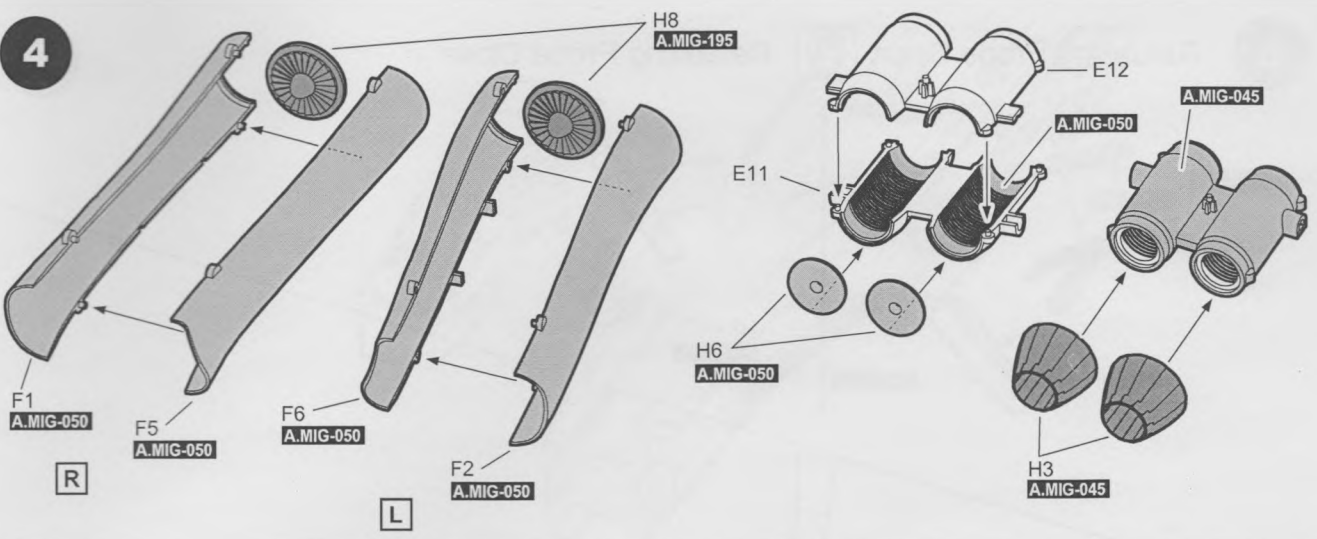
2



3



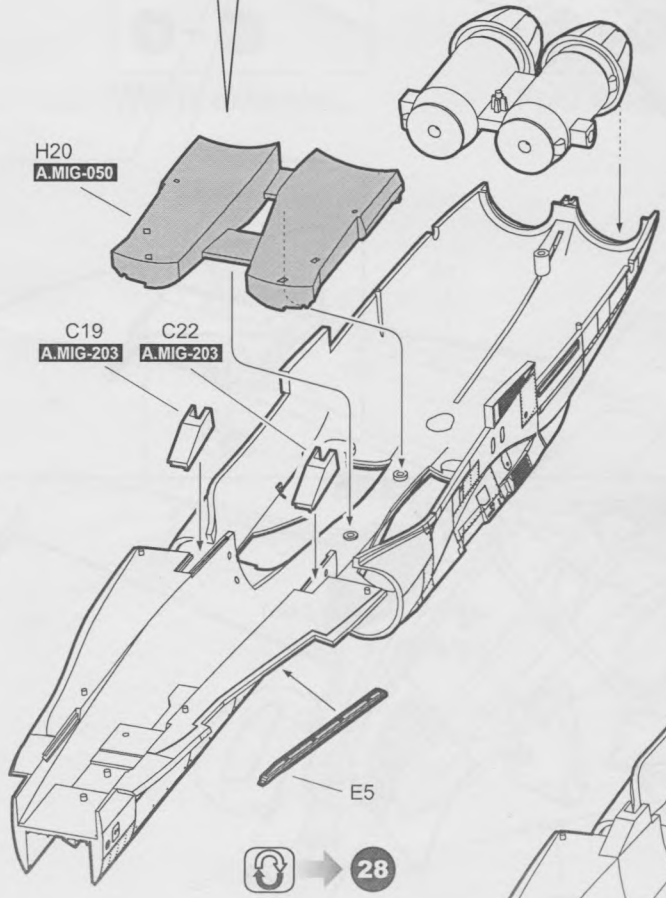
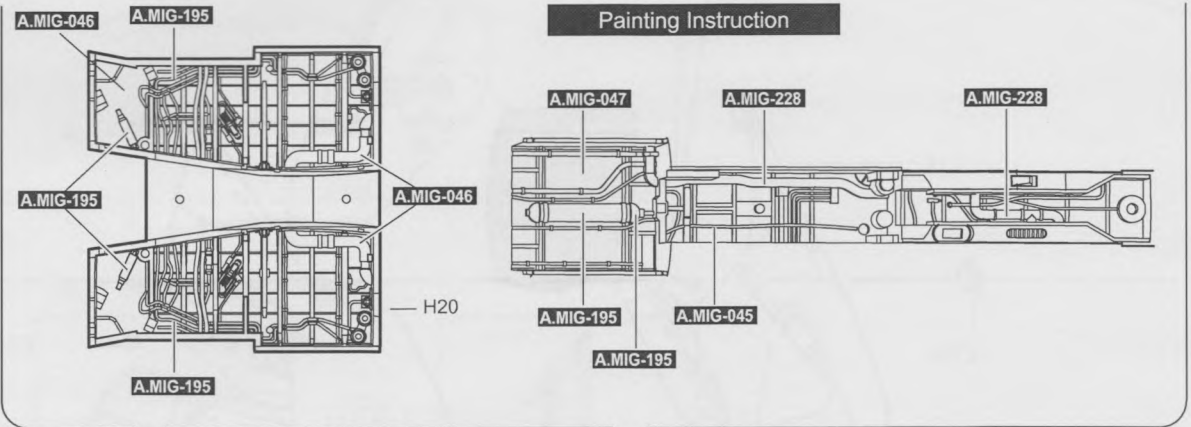
4



R

L

5



R

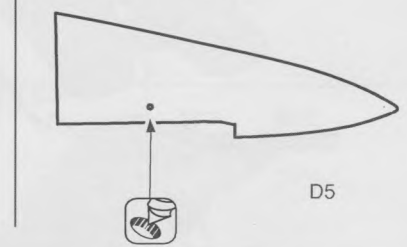
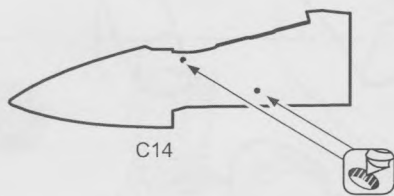
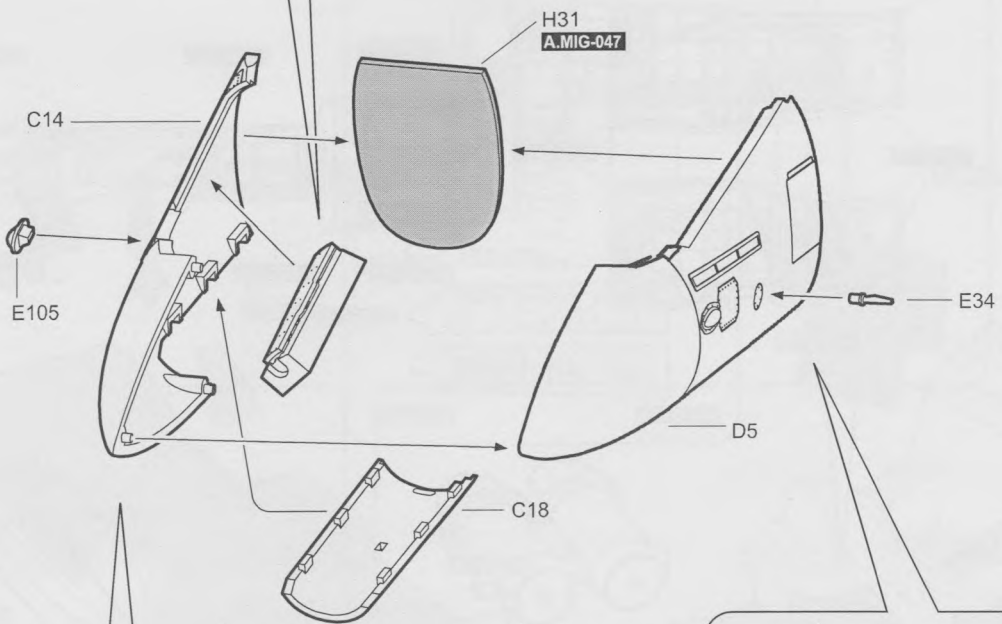
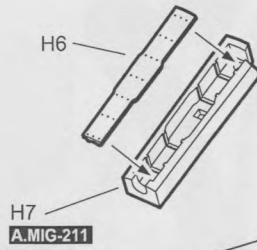
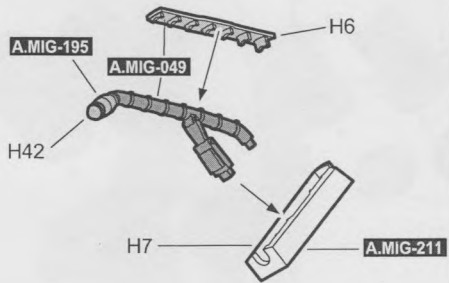
L

6

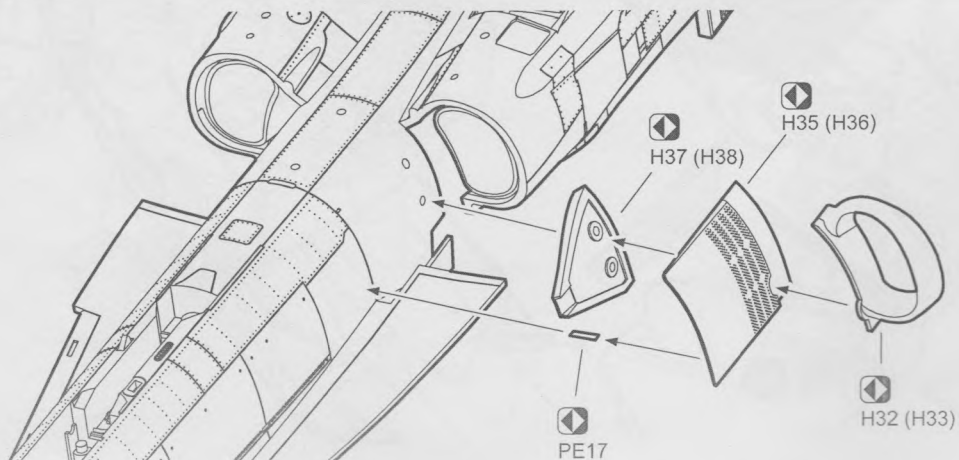
Refuelling Probe Open



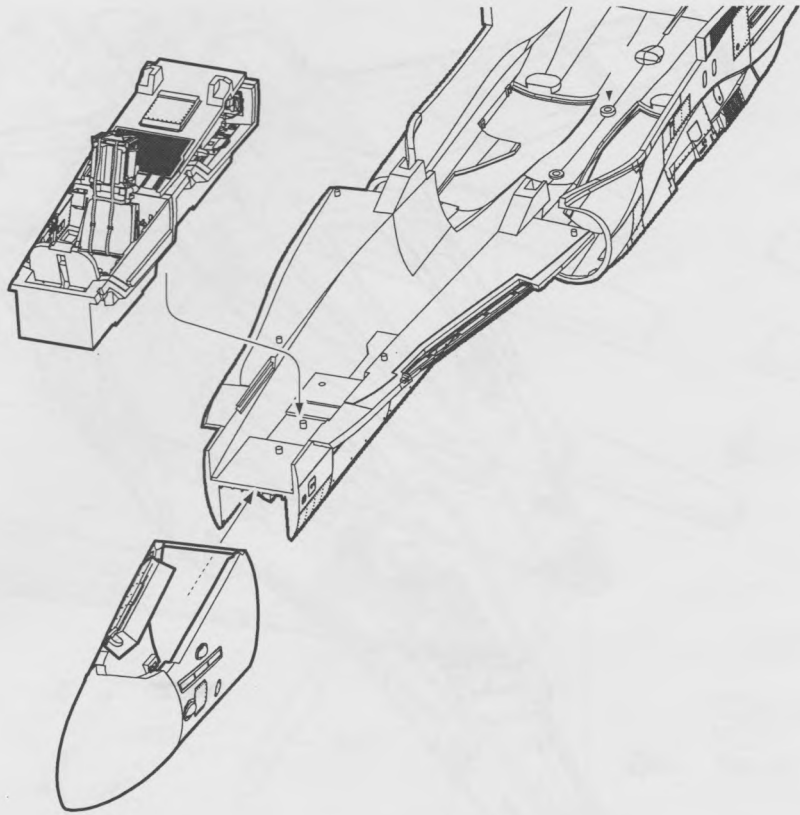
Refuelling Probe Close



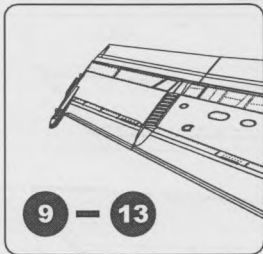
7



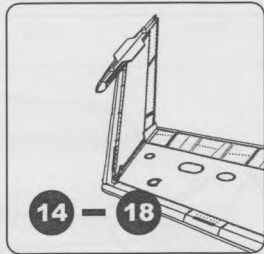
8



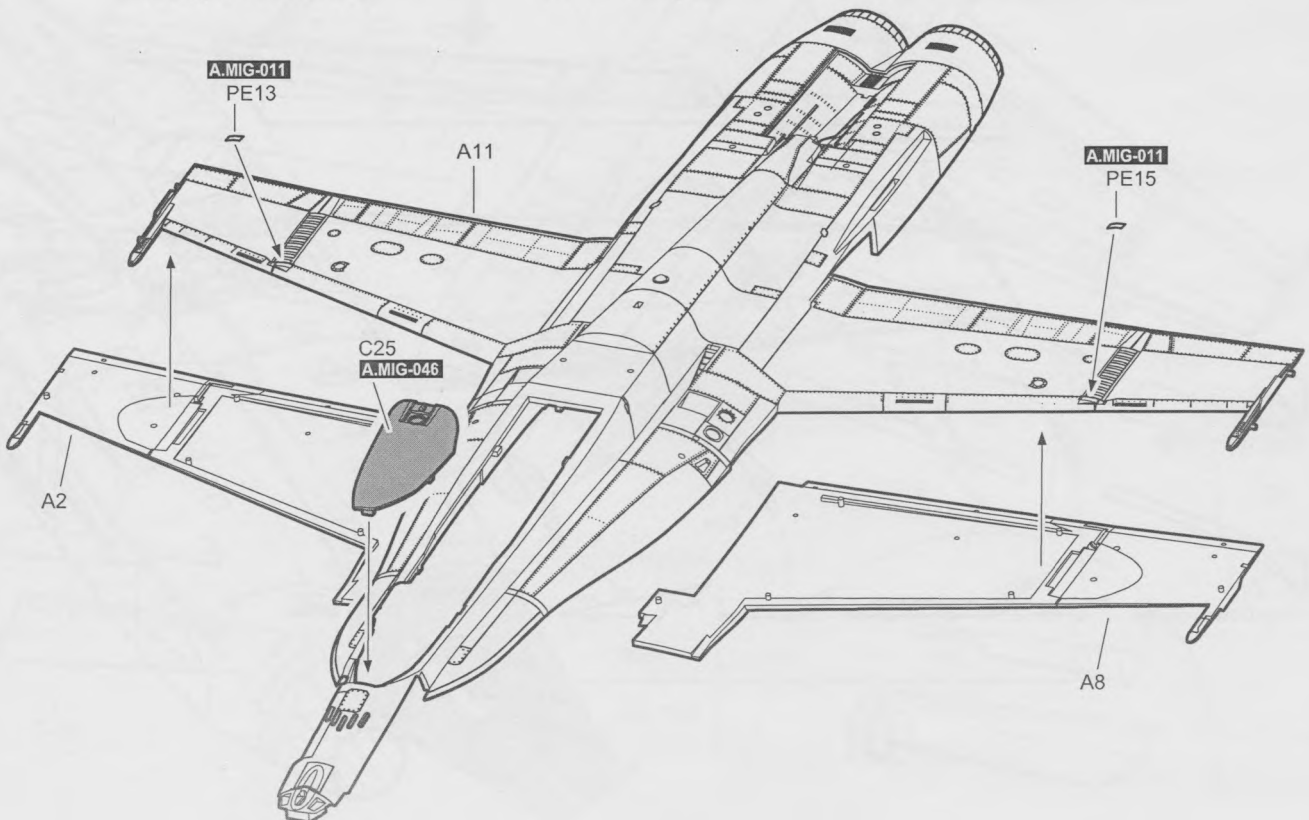
9



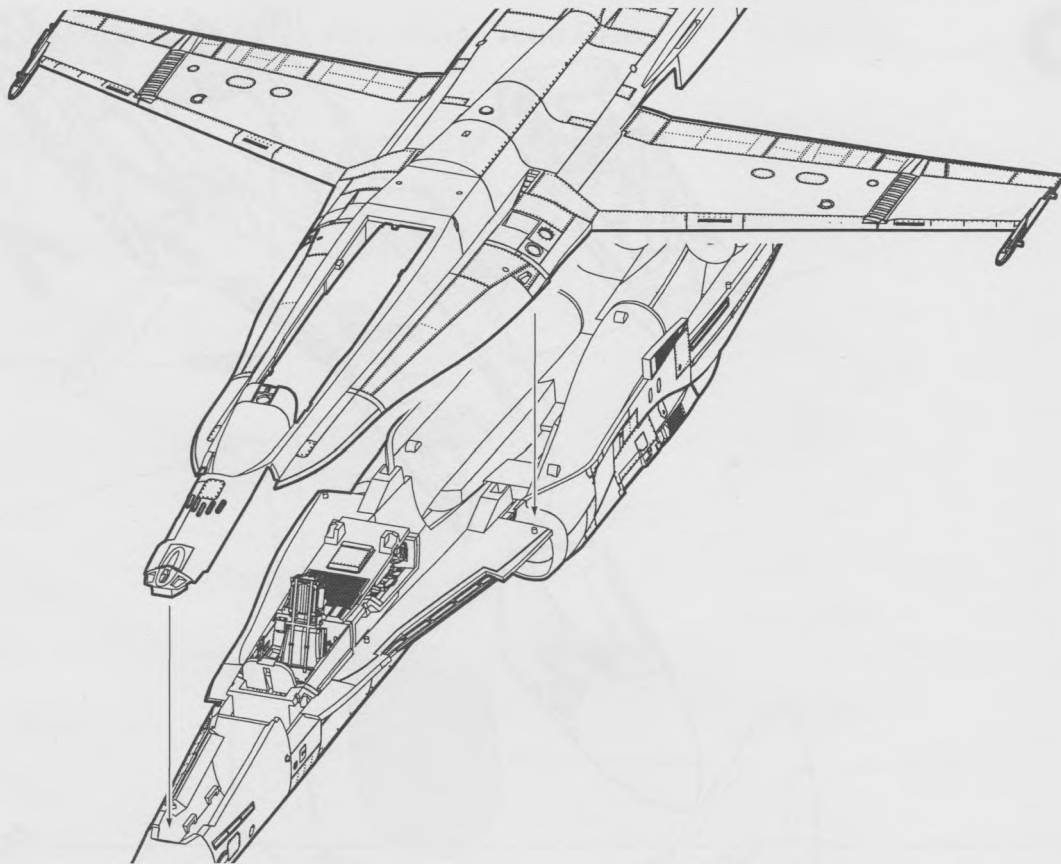
Wings extended



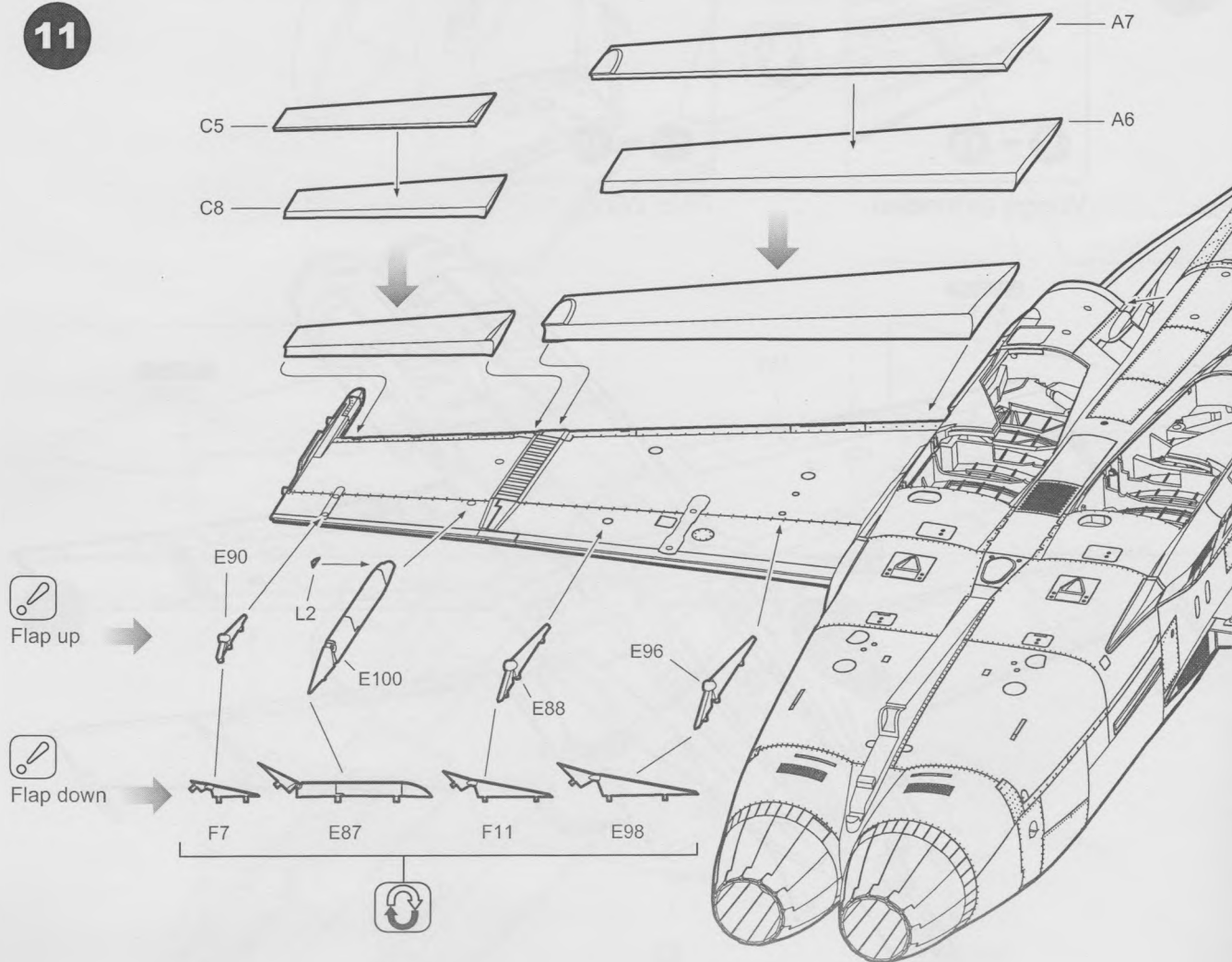
Fold Wings



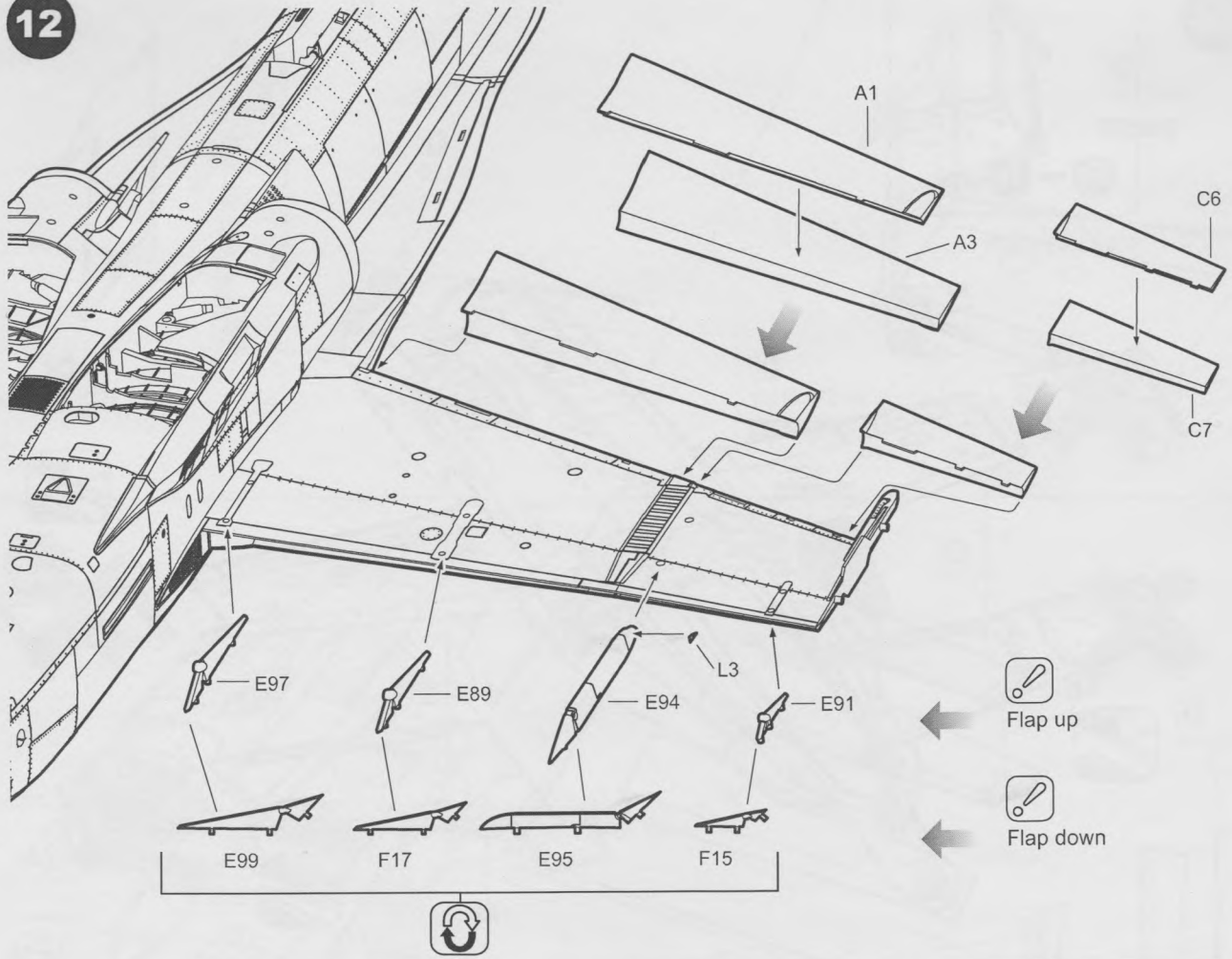
10



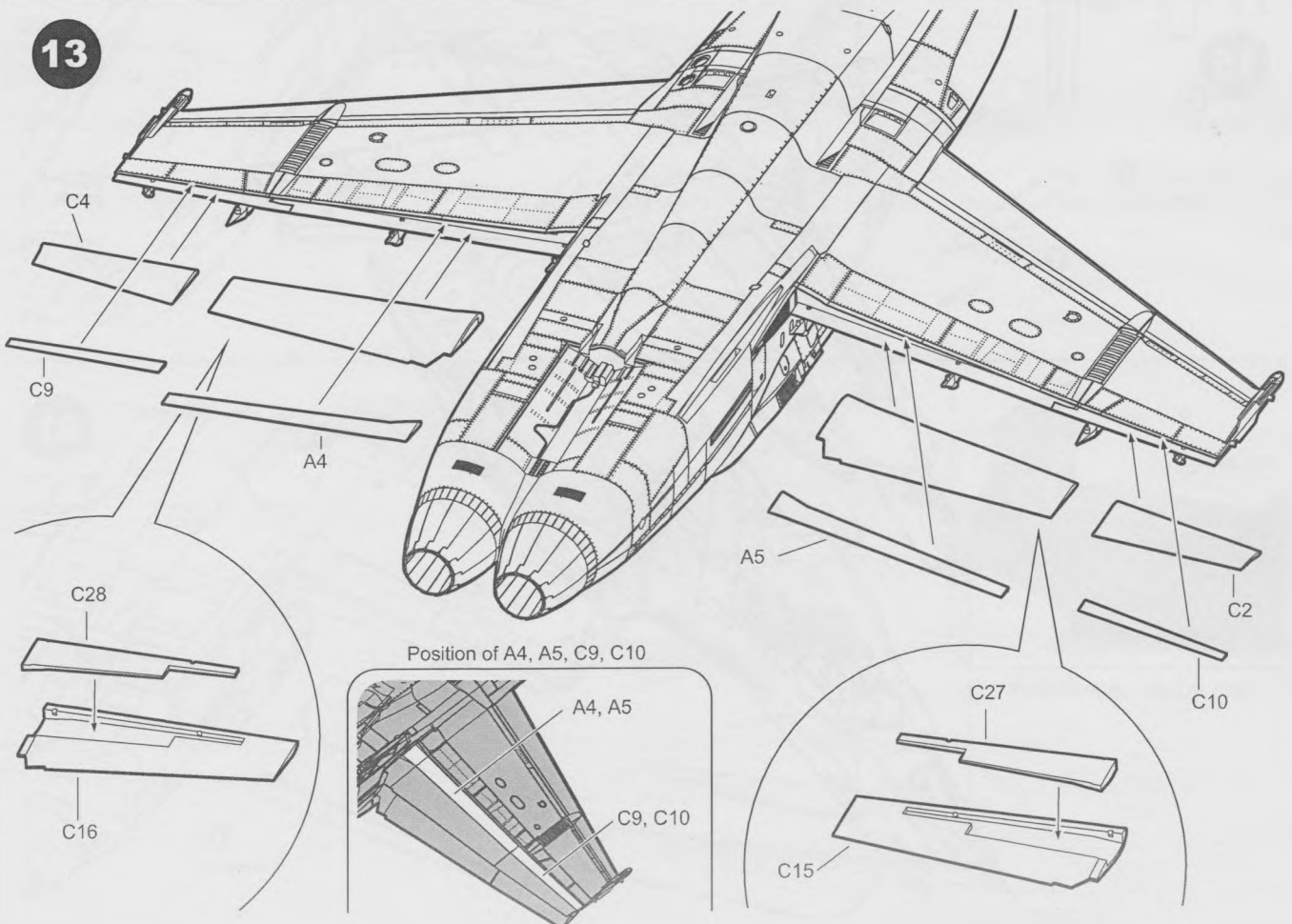
11



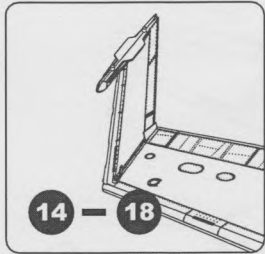
12



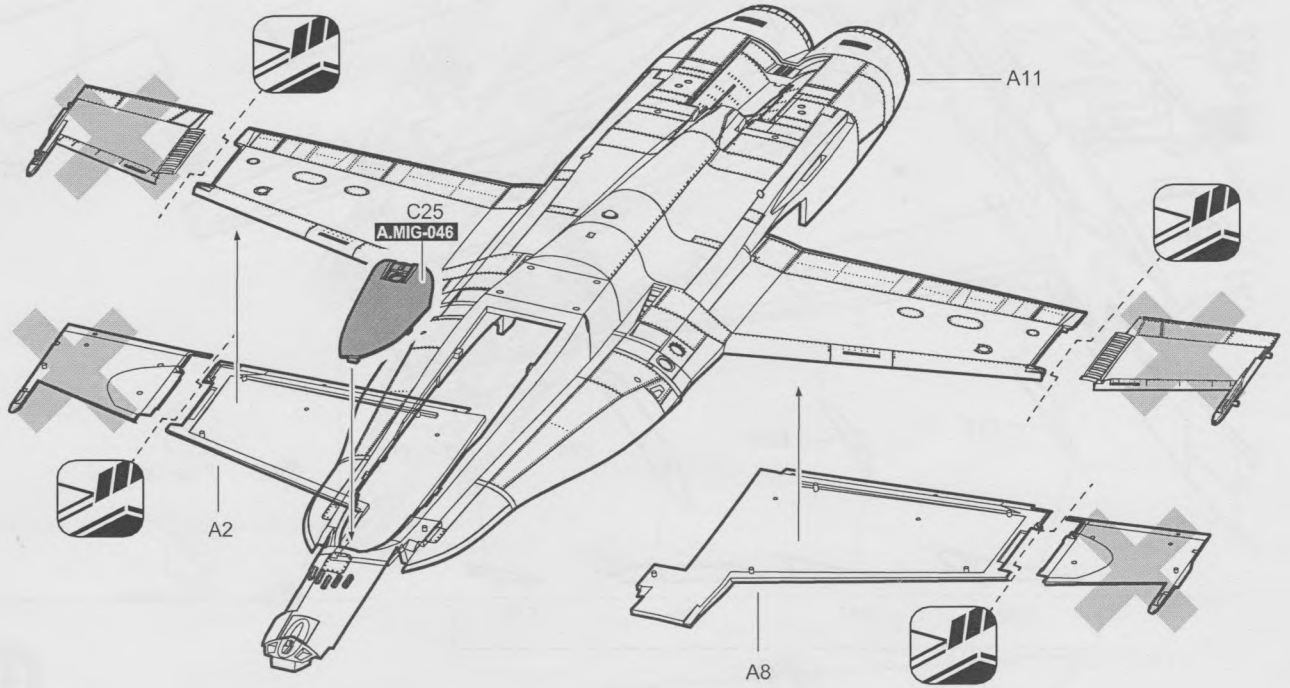
13



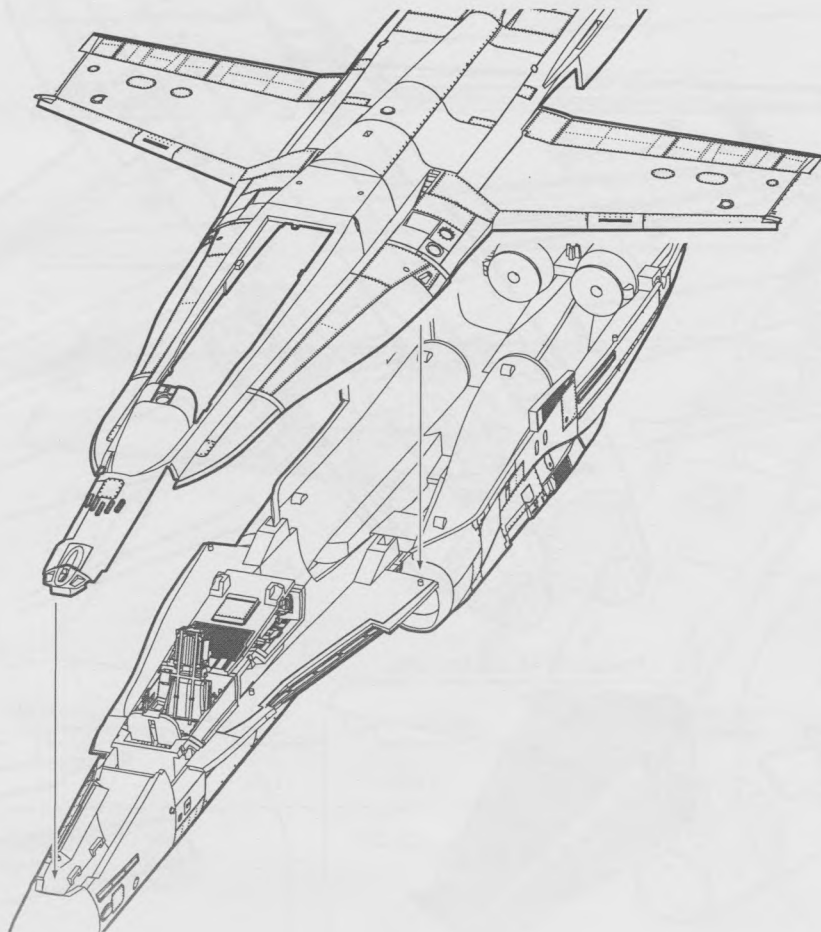
14



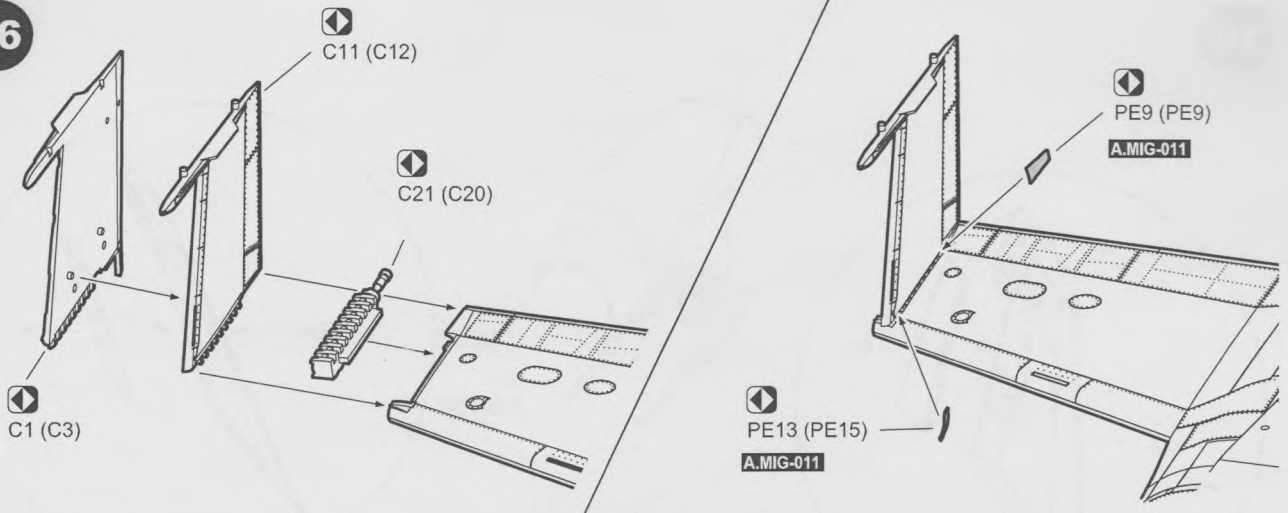
Fold Wings



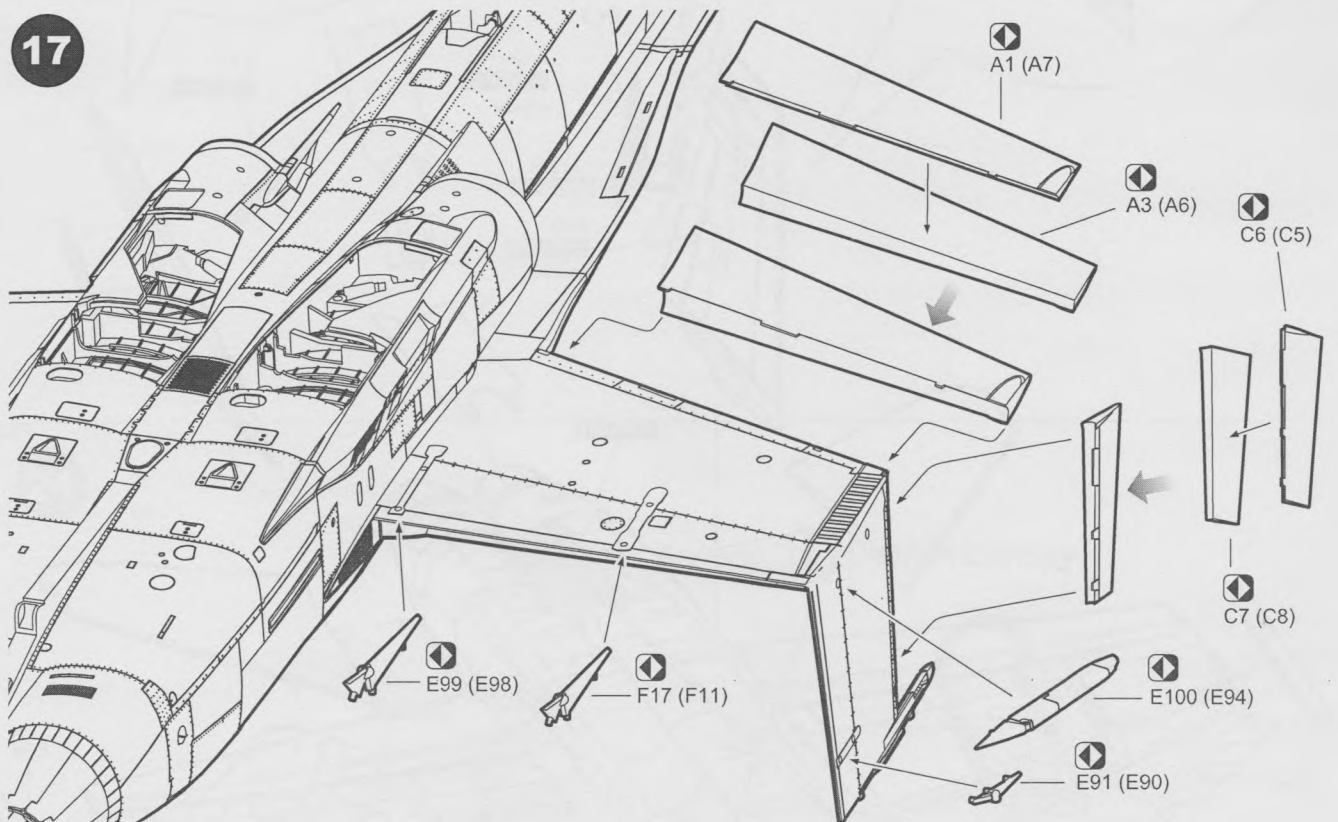
15



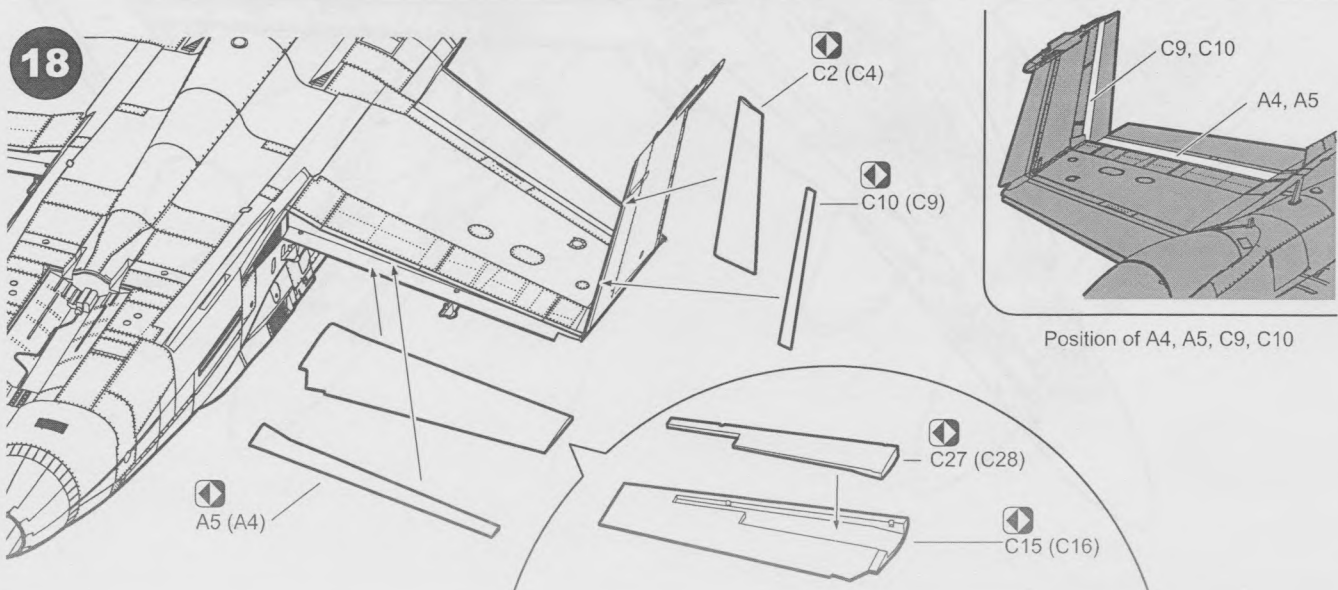
16

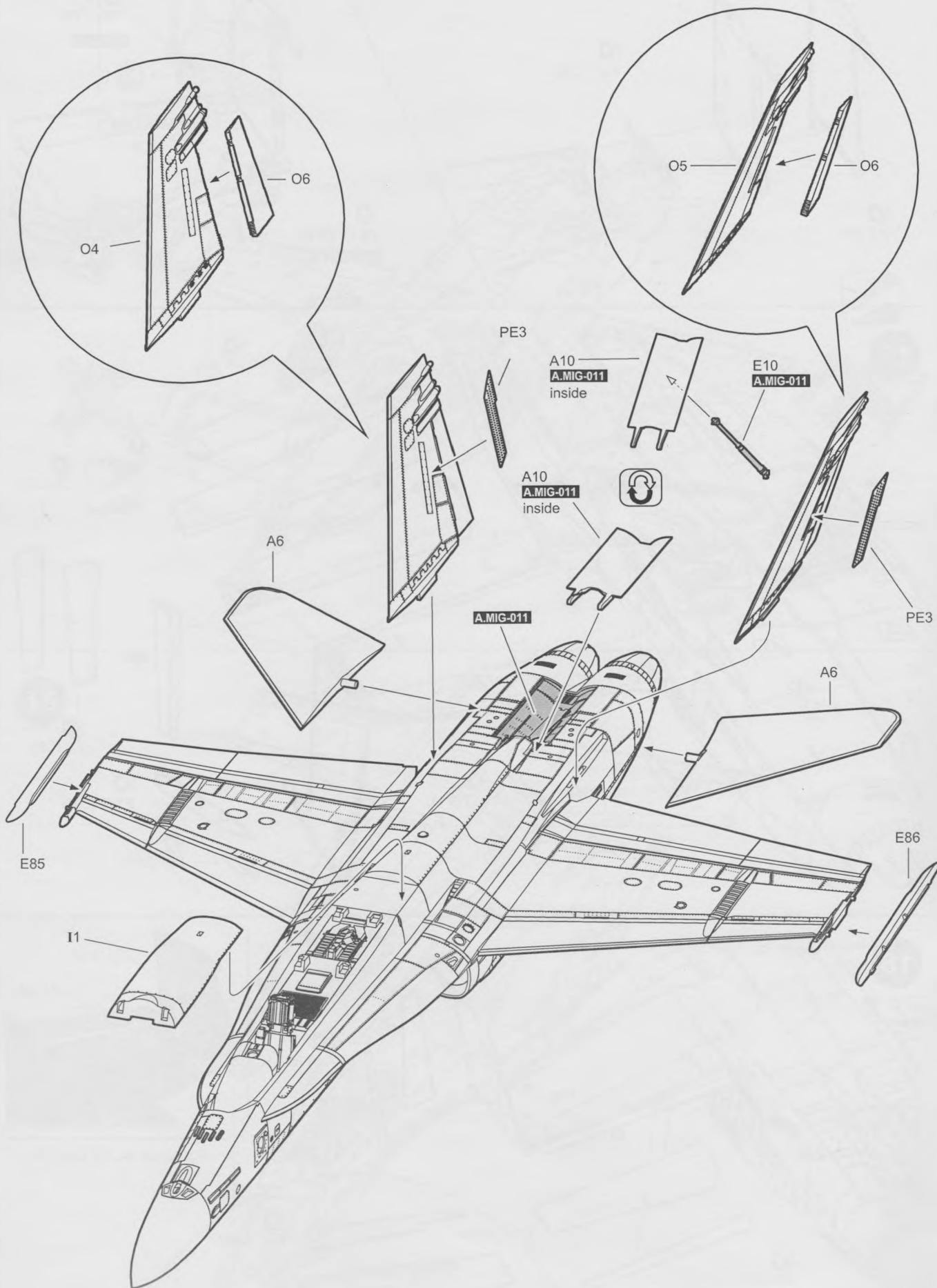


17

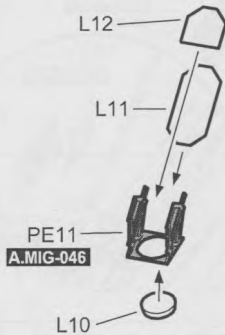
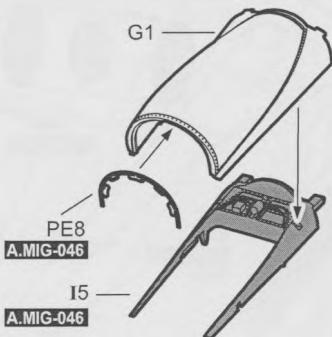


18





20

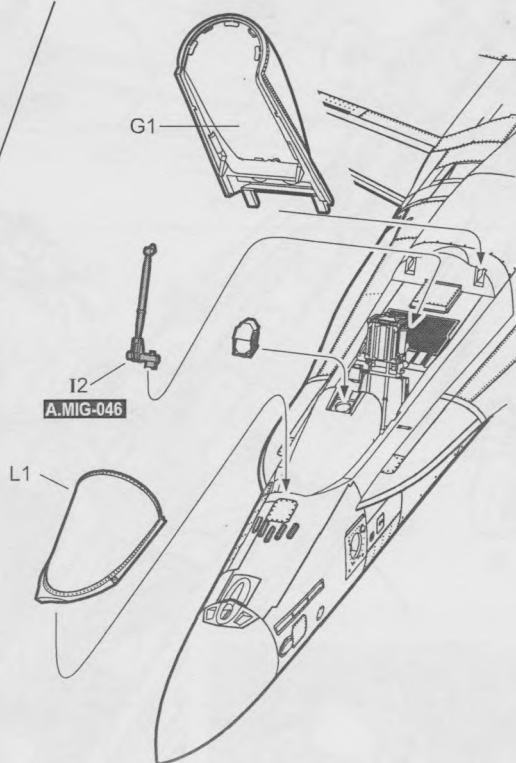
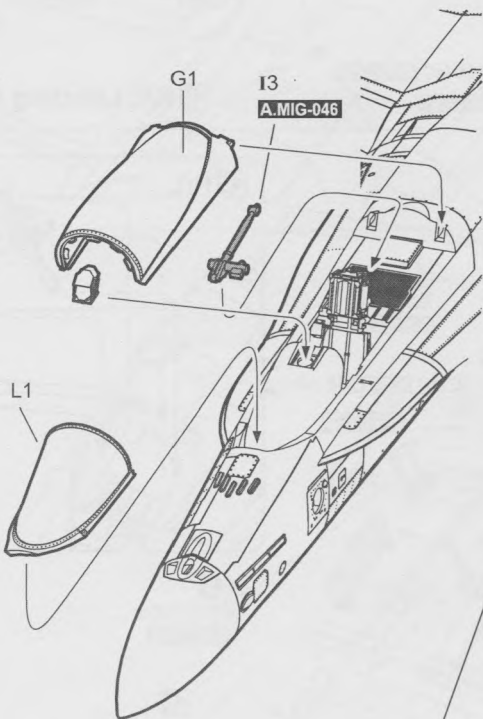


21

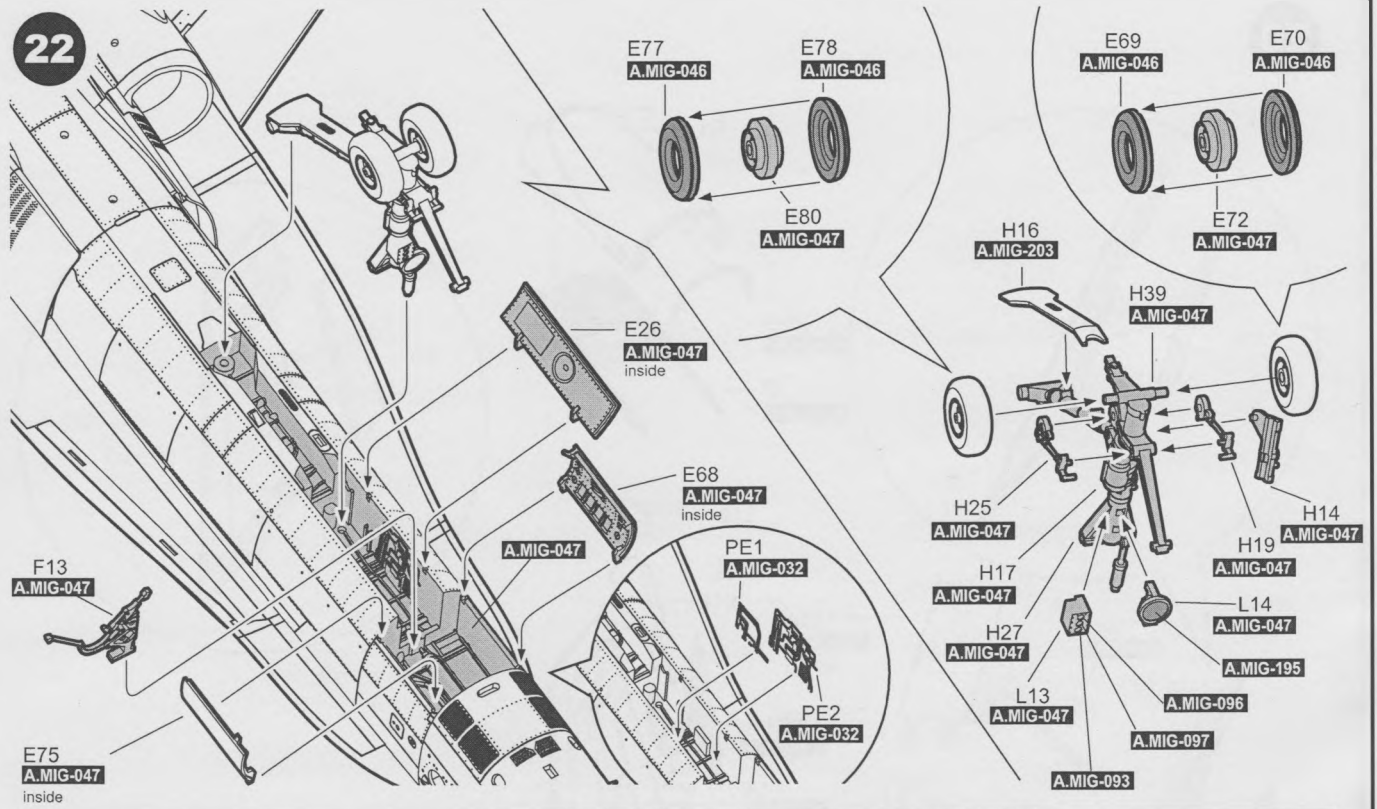
Close Canopy



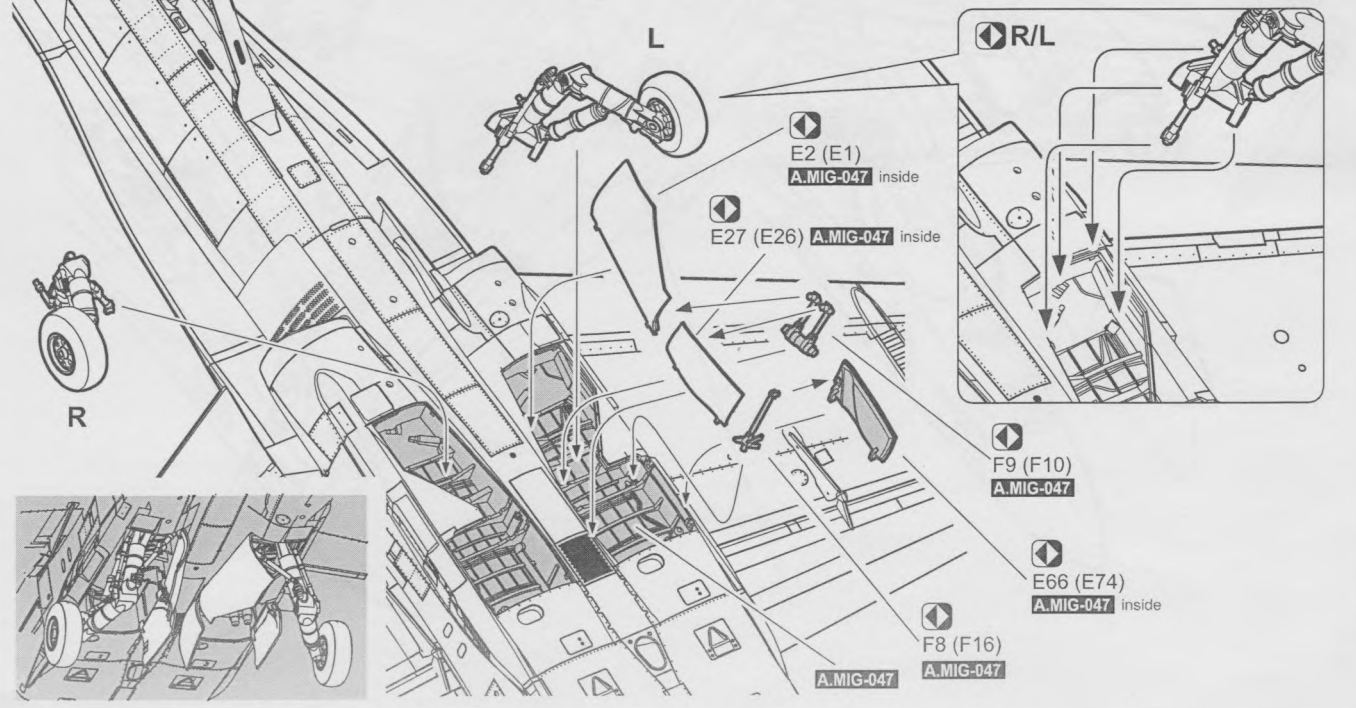
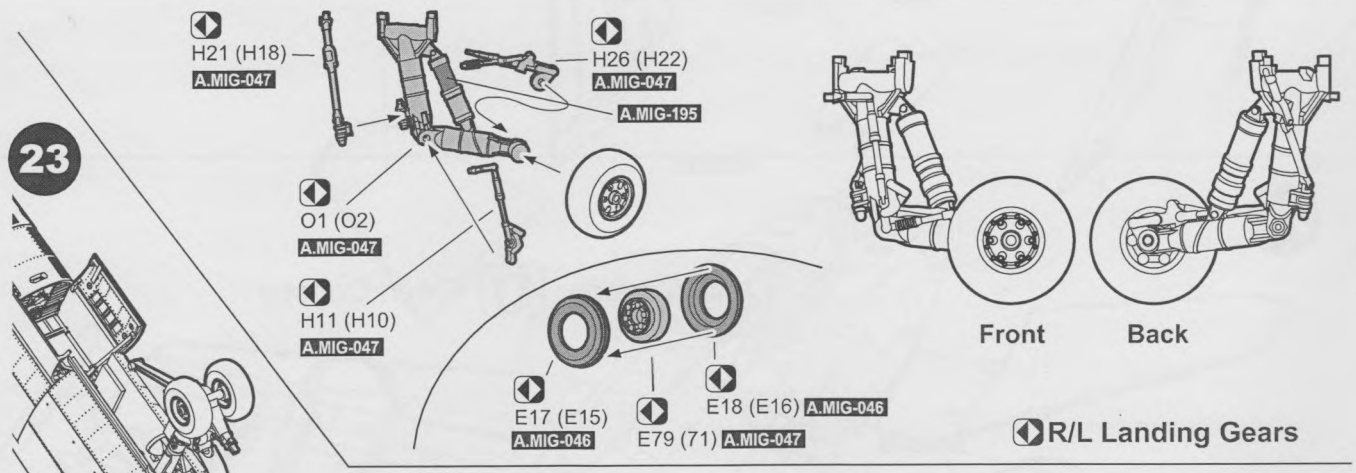
Open Canopy



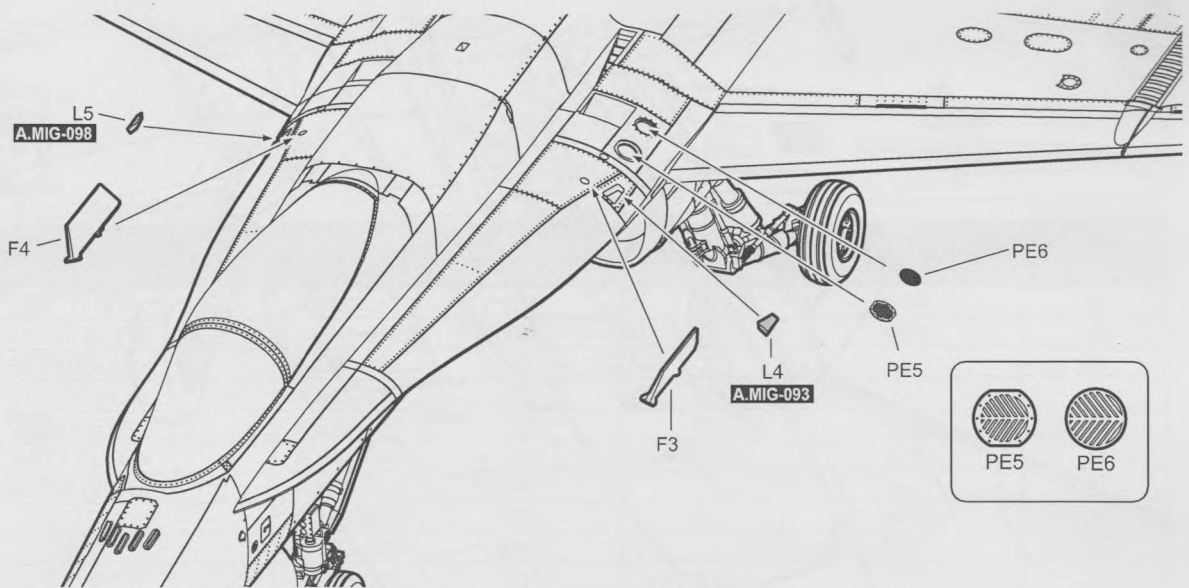
22



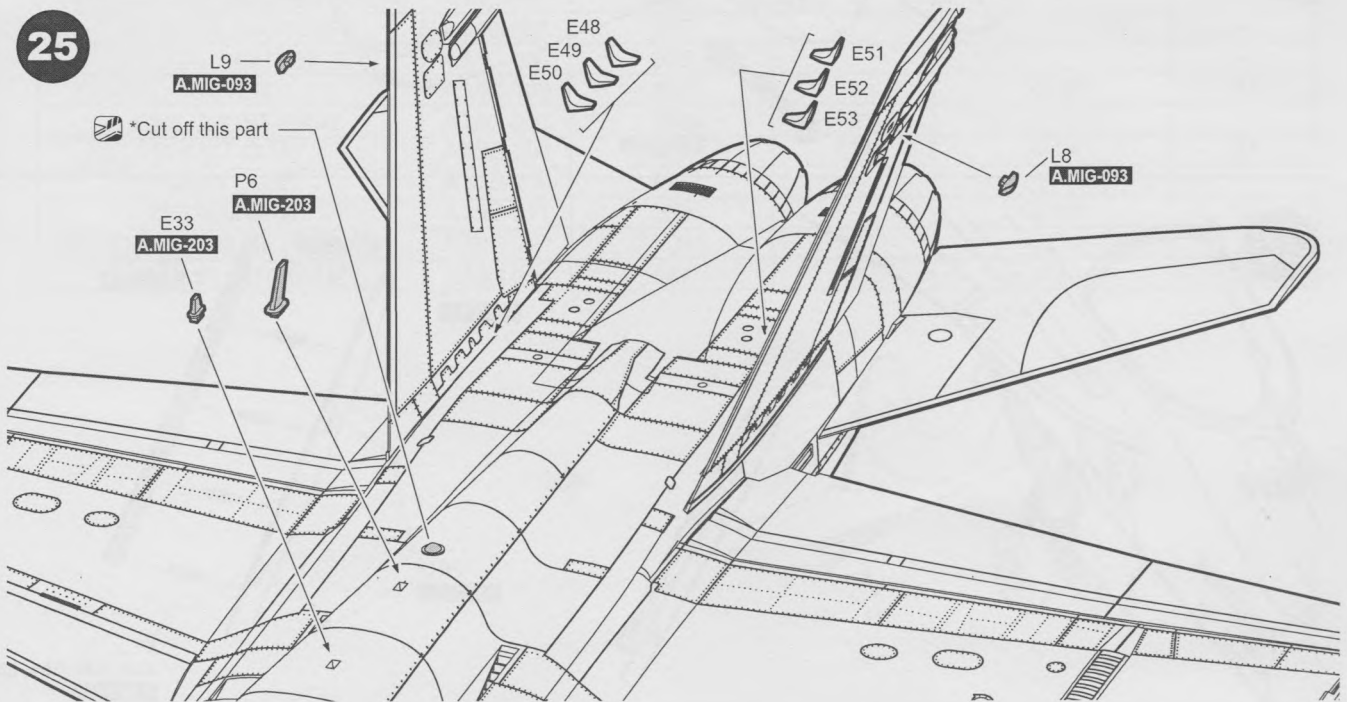
23



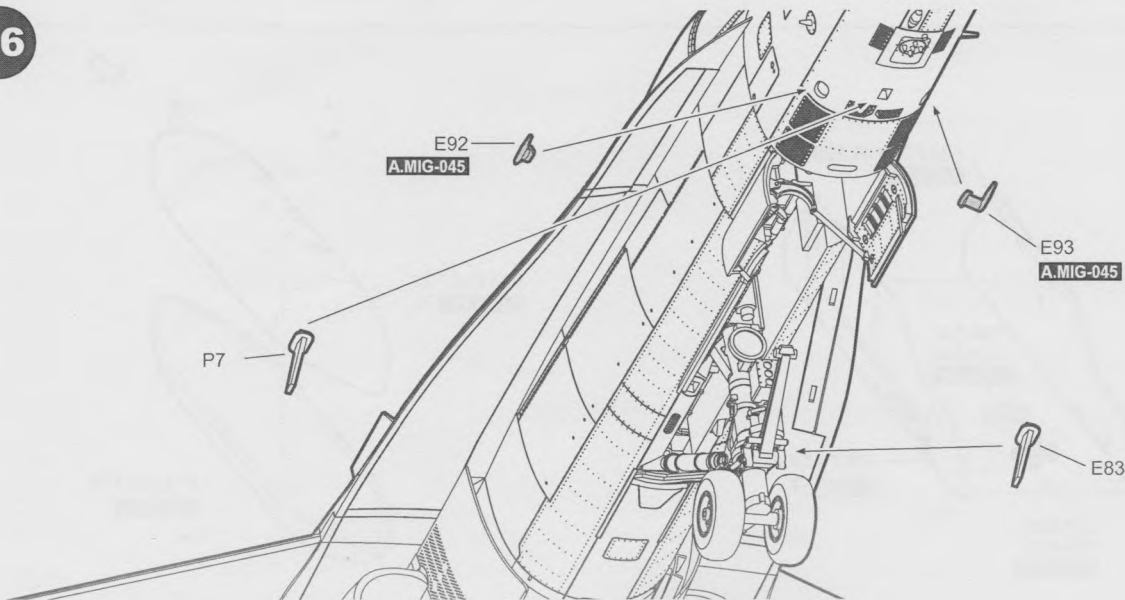
24



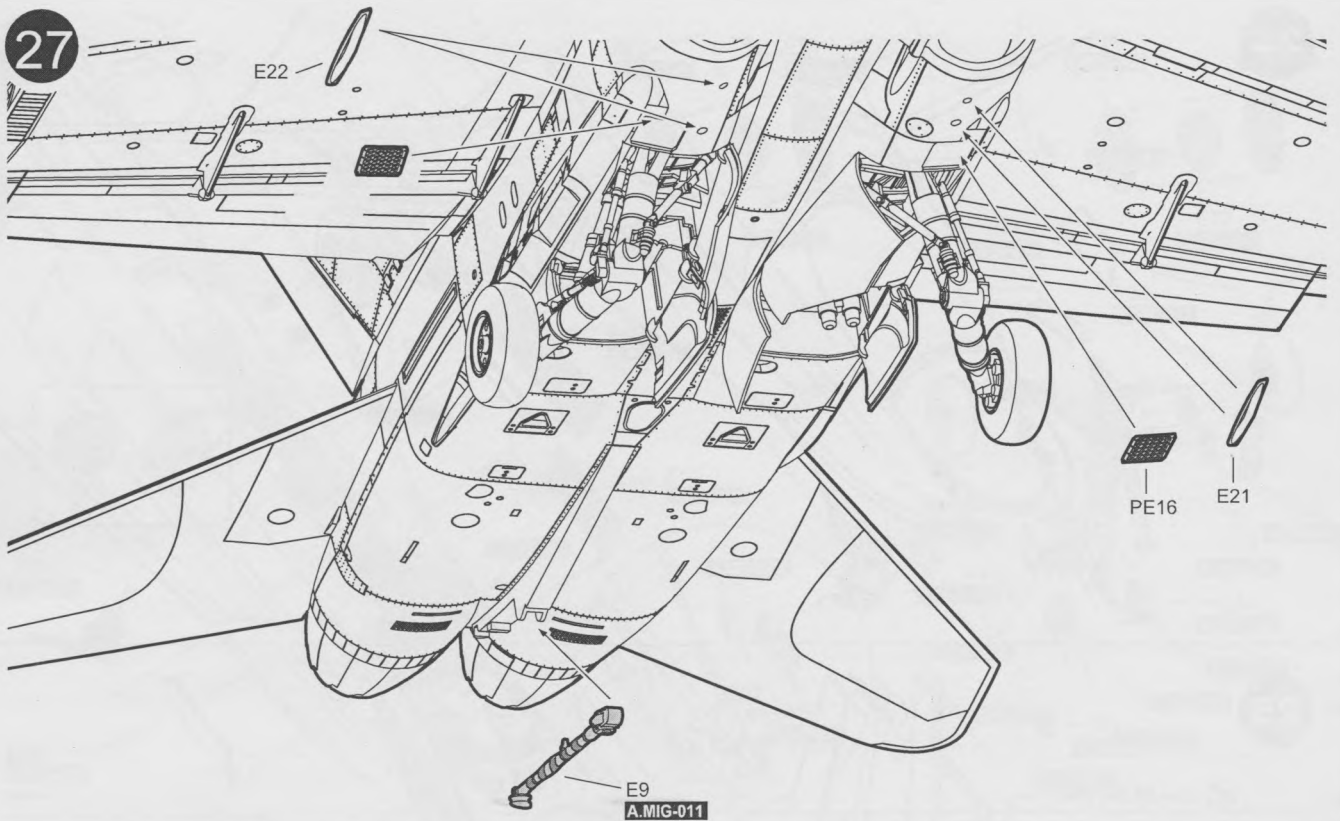
25



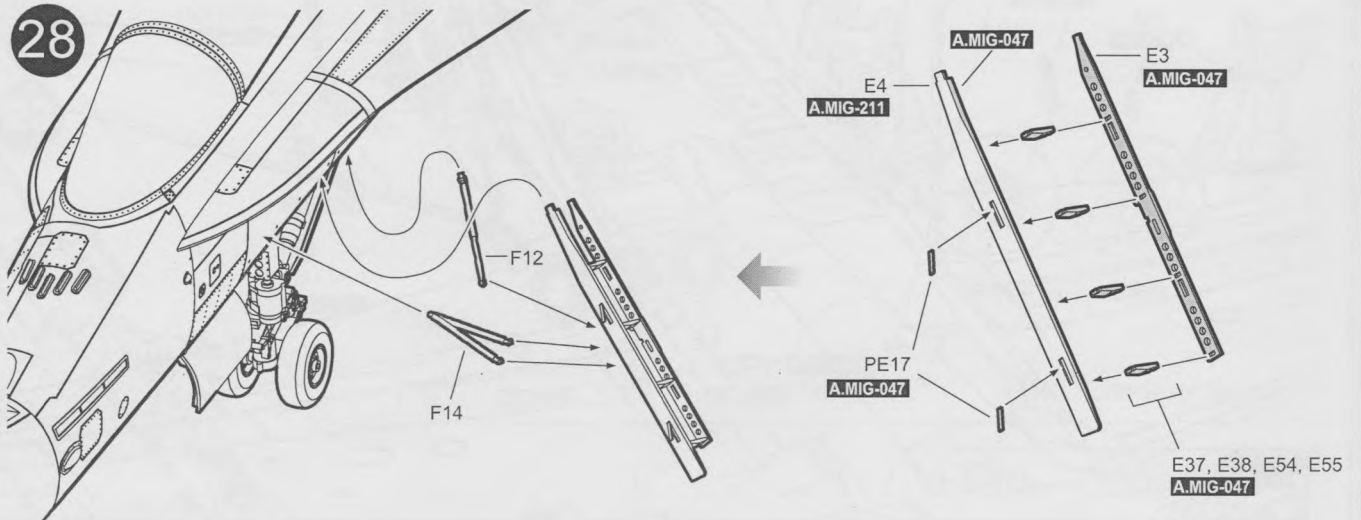
26



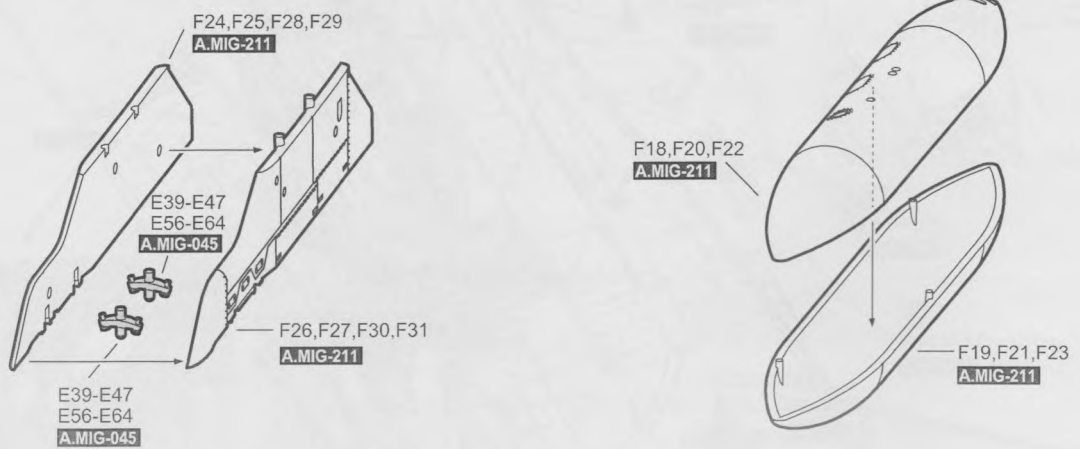
27



28



29



PAINT INDEX



COLOR	AMMO MIG	VALLEJO MODEL COLOR	GSI CREOS MR. COLOR	TAMIYA ENAMEL/ACRYLIC	HUMBROL ENAMEL
DUNKELGELB AUS '44 DG I	A.MIG-011	830	-	XF62	66
LIGHT BEIGE	A.MIG-012	837	51	XF78	121
SATIN BLACK	A.MIG-032	861	2	-	21
OLD WOOD	A.MIG-036	879	81	-	-
GUN METAL	A.MIG-045	863	76	XF56	53
MATT BLACK	A.MIG-046	950	12	XF1	33
SATIN WHITE	A.MIG-047	842	1	-	22
YELLOW	A.MIG-048	953	413	XF3	15
RED	A.MIG-049	957	-	XF07	153
MATT WHITE	A.MIG-050	951	11	XF2	34
CRYSTAL RED	A.MIG-093	934	-	-	220
CRYSTAL PERISCOPE GREEN	A.MIG-096	936	-	-	-
CRYSTAL ORANGE	A.MIG-097	935	-	-	-
CRYSTAL LIGHT BLUE	A.MIG-098	938	-	-	-
SILVER	A.MIG-195	997	8	XF16	11
LIGHT GHOST GRAY	A.MIG-203	990	308	-	-
GHOST GRAY	A.MIG-208	991	317	XF54	27
GRAY BLUE	A.MIG-210	901	-	-	-
MEDIUM GRAY	A.MIG-211	989	-	XF19	127
FS 25042 SEA BLUE (ANA 606)	A.MIG-227	71.091	326	-	-
INTERMEDIATE BLUE	A.MIG-228	867	36	XF54	79

